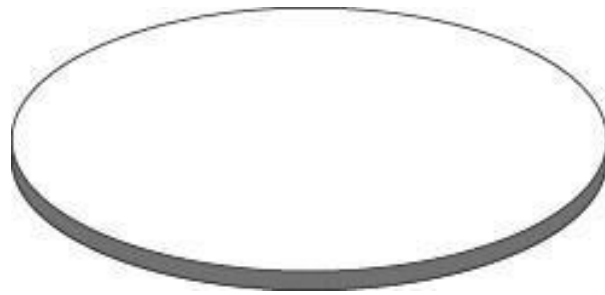


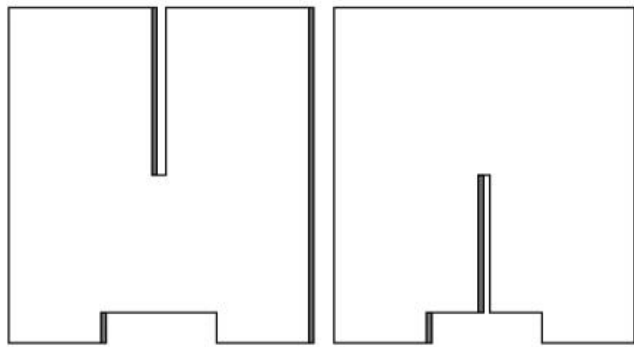


A

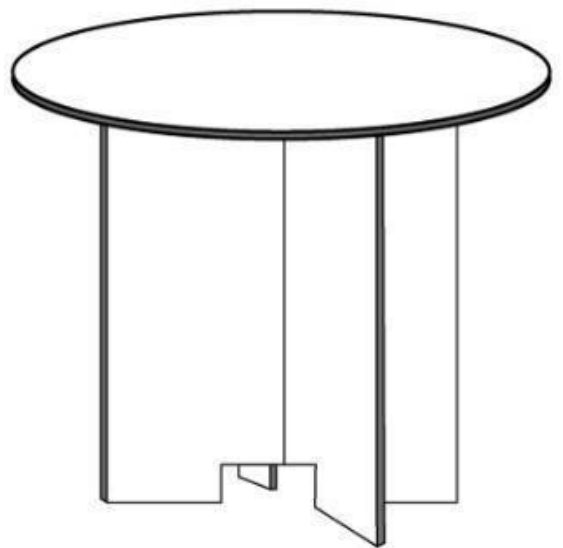
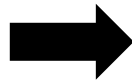
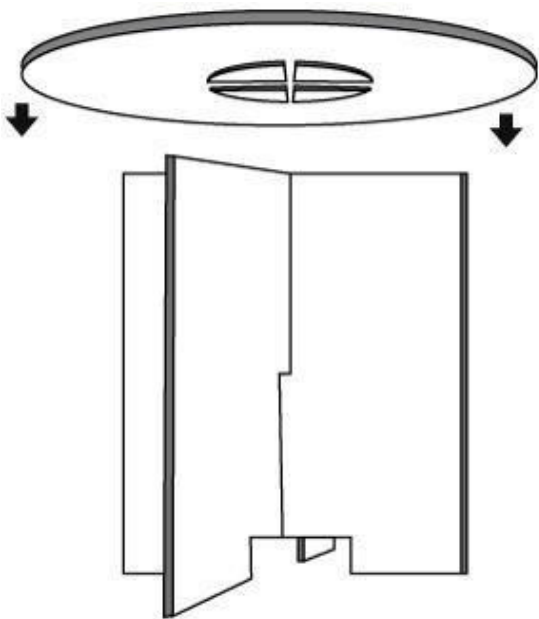
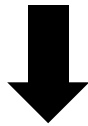
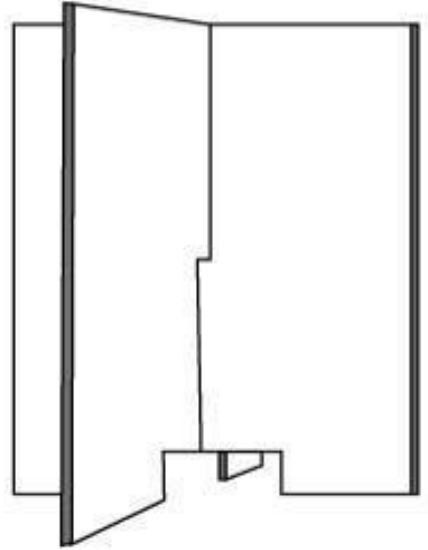
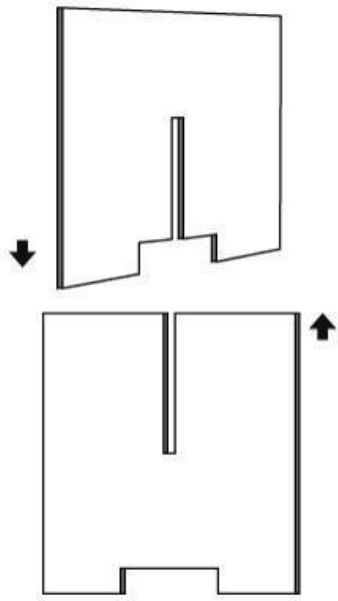


1

B



2





20 kg/44 lbs