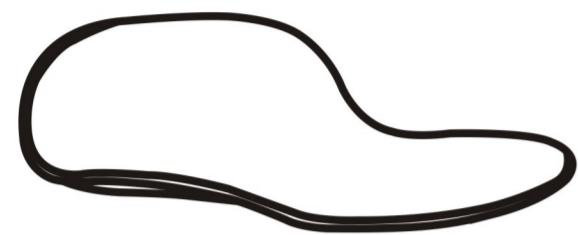


(1)X1



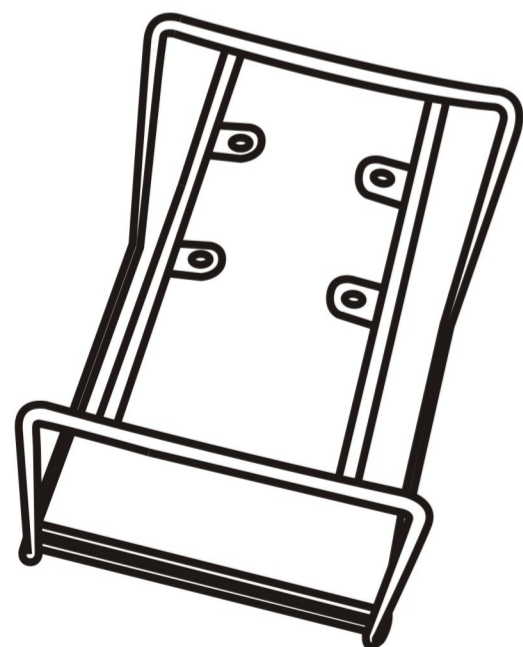
(3)X4



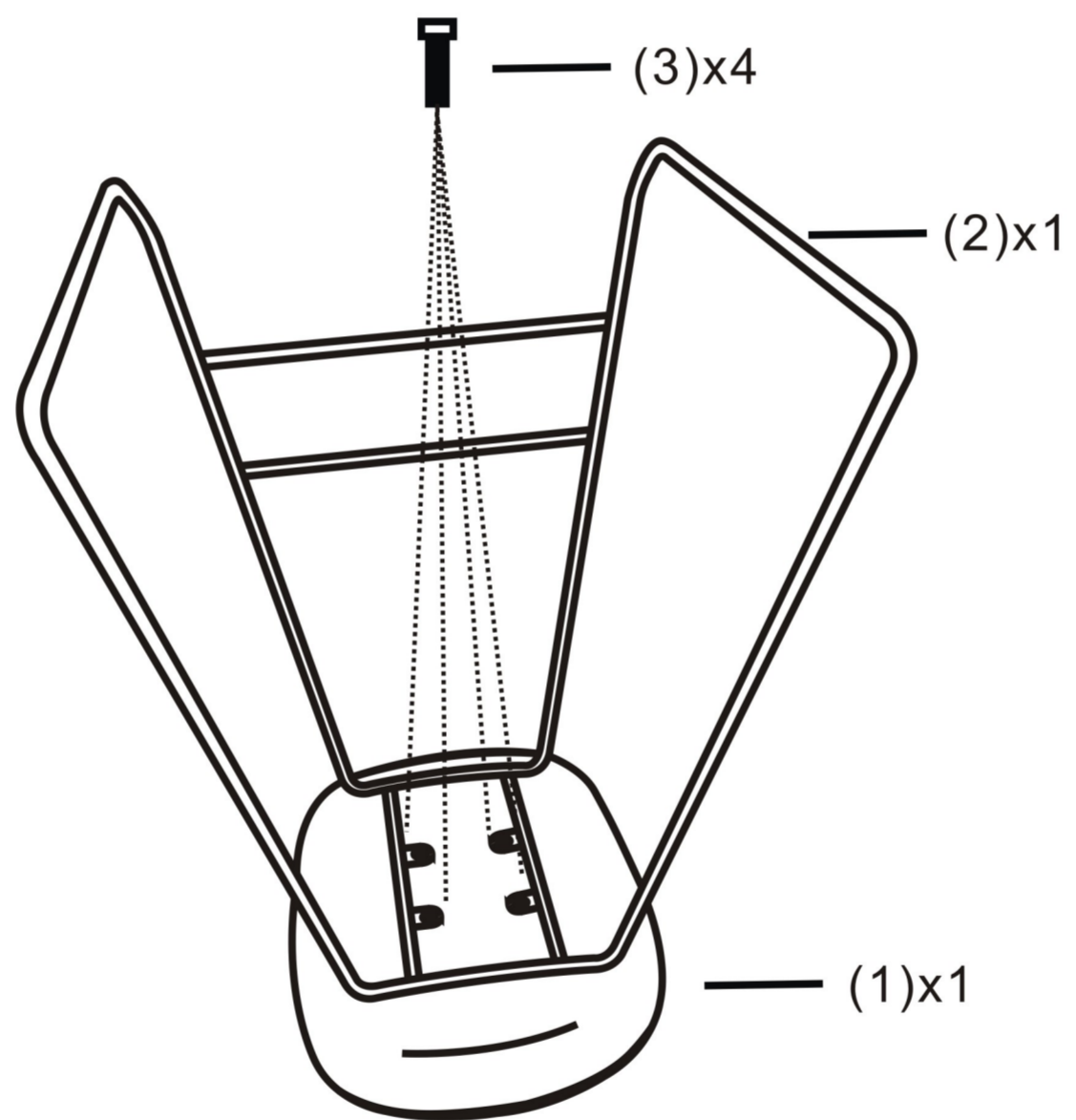
(4)X1



(2)X1



1



2

