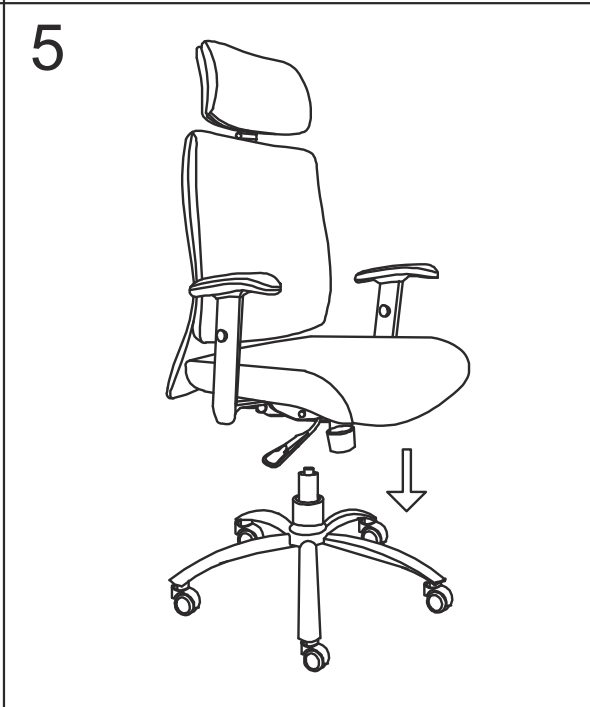
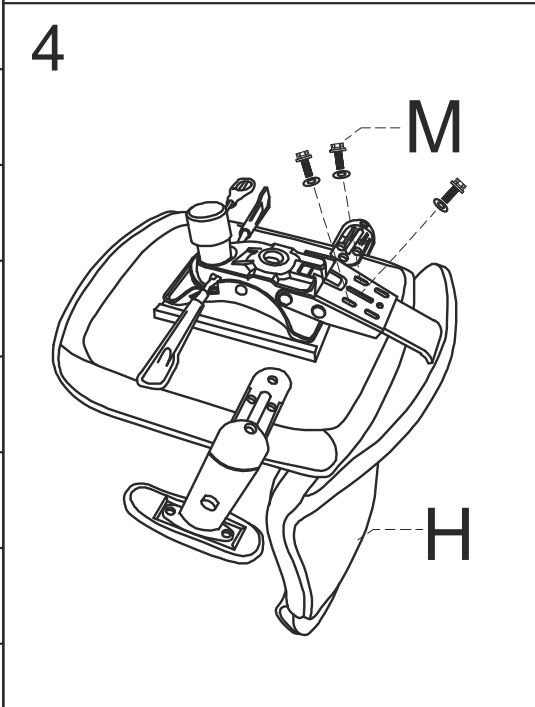
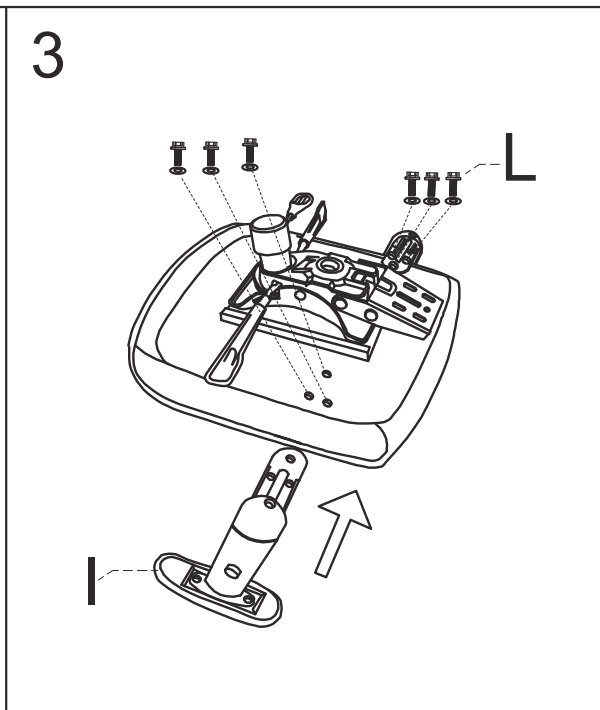
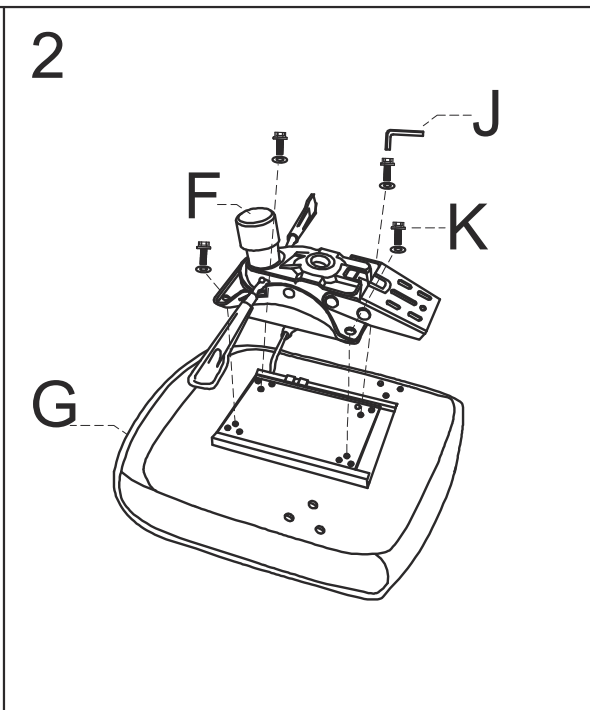
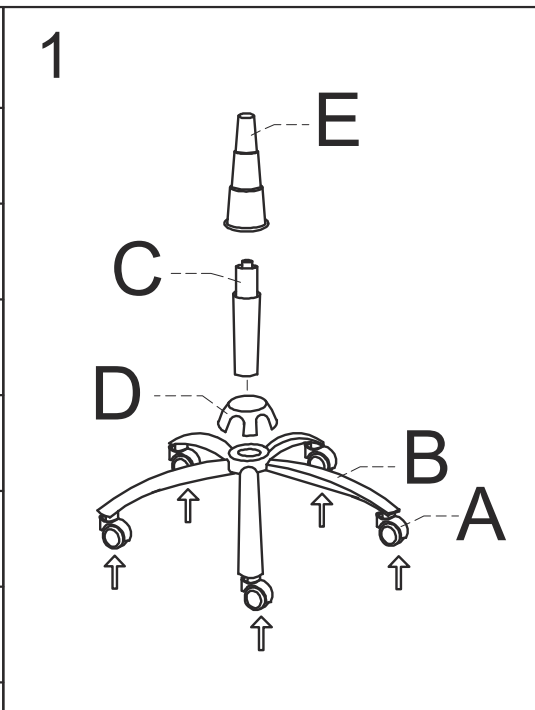


Part	Picture	Qty.
A		5
B		1
C		1
D		1
E		1
F		1
G		1
H		1
I		2
J		1
K		4
L		6
M		3



### Headrest adjustment:

To adjust the headrest angle, turn the headrest (①) directly to desired angle.

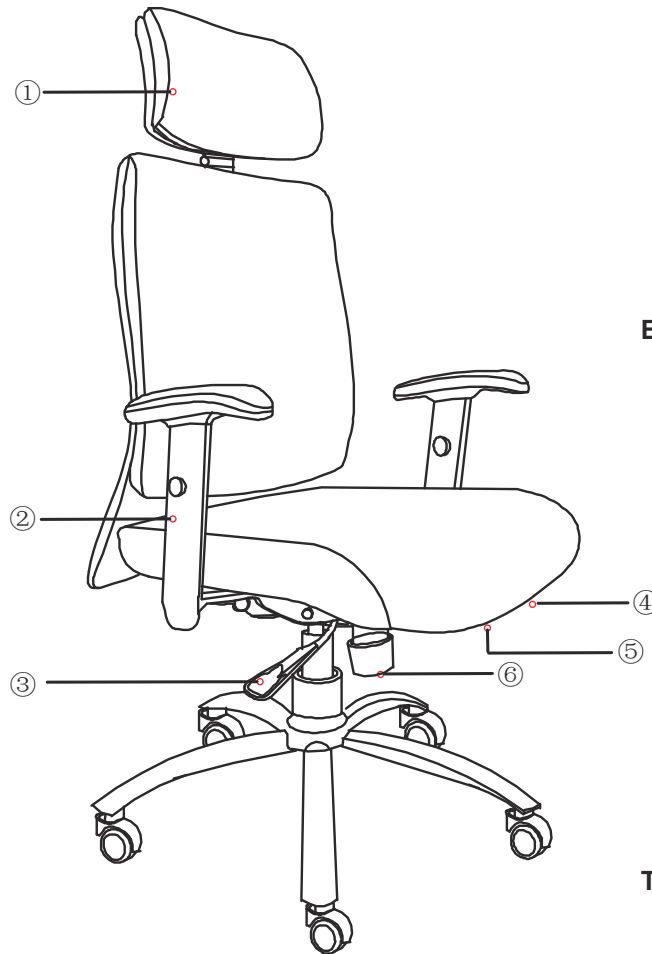
### Armrest adjustment :

To rise up or lower down the armrest, press the button ( ②) on the armrest and move up or down.

### Seat height adjustment:

To raise the seat height, remove weight from the seat and pull up on the height adjustment lever ( ③ ), release the lever when reaching the desired position.

To lower the seat height, while seated, pull up slowly on the height adjustment lever until the seat is at the desired height.



### Seat depth adjustment:

To enlarge the seat depth, pull up the slider lever (④) and move forward to desired position, then release the lever.

To go back to the first position, pull up the slider lever and remove body weight from the seat.

### Backrest angle adjustment:

To change backrest's position, push forward the adjustment lever (⑤), then lie backwards the backrest to desired position, and pull back the adjustment lever to lock.

To go back to the first position, push forward the adjustment lever, lie backwards again and then backrest will return automatically.

### Tilt tension adjustment:

To adjust the seat tilt tension, turn the tension adjustment lever (⑥) on the mechanism to desired tension, turn clockwise or anticlockwise.