



UNILUX

AXIO

Modular sliding screen arm support

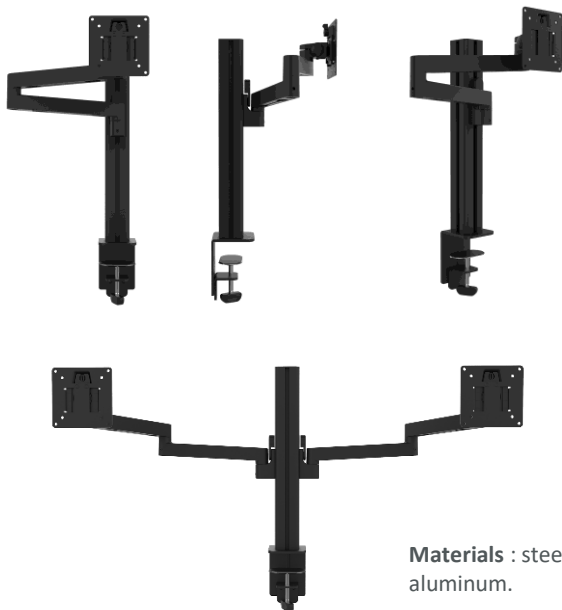
# AXIO Modular sliding screen arm support



Create a customized setup with our modular components to meet your specific needs. For biodynamic lighting, add the STRATA or ELITE Lumino lamps. AXIO sliding arms offer flexibility and ergonomics, with scalable solutions that adapt to each user, enhancing both productivity and everyday well-being.

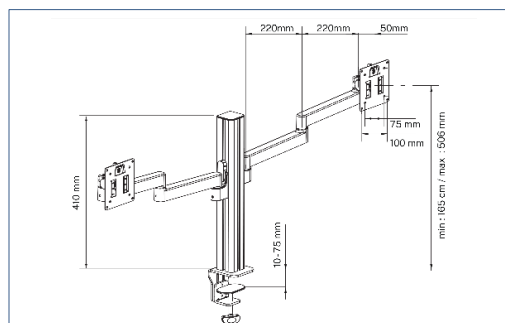
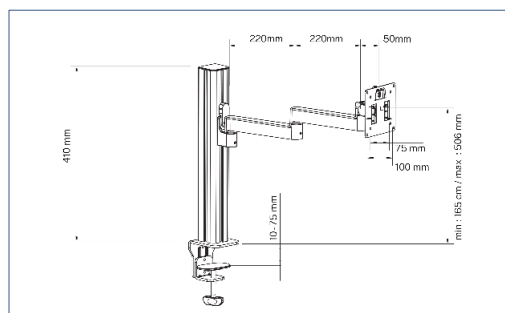
# AXIO / STANDARD CONFIGURATIONNS

- **Customizable setup** : adapt your installation to your needs with a modular design. Add or reposition screens and accessories with ease.
- **Ergonomic** : easily adjust the height, tilt, and depth of your screen for optimal posture and improved visual comfort.
- **Space-saving** : free up desk space by elevating your monitors, creating a cleaner and more functional workstation.
- **User-friendly** : mechanical arms provide extended reach and easy height adjustment thanks to the sliding connector.
- **Increased productivity** : AXIO enables a well-organized, ergonomic workspace that supports focus and enhances daily efficiency.
- **Universal compatibility** : designed to fit a wide range of monitors, AXIO is compatible with major VESA standards.



**Materials** : steel and recyclable aluminum.

**Warranty** : 2 years.



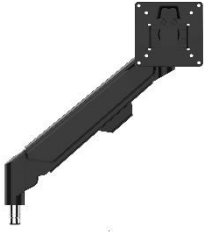
## Features

| CONFIGURATIONS     | SINGLE ARM          | DOUBLE ARM          |
|--------------------|---------------------|---------------------|
| SAP. code          | 400204097           | 400204099           |
| EAN code           | 3595560042791       | 3595560042821       |
| Height range (mm)  | 165 to 506          | 165 to 506          |
| Screen size        | 13" - 36"           | 13" - 36"           |
| Load capacity (kg) | 10                  | 20                  |
| VESA (mm)          | 75 x 75 & 100 x 100 | 75 x 75 & 100 x 100 |
| Tilt               | +50° to -45°        | +50° to -45°        |
| Swivel             | +90° ~ -90°         | +90° ~ -90°         |
| Rotation           | +180° ~ -180°       | +180° ~ -180°       |
| Installation       | Clamp               | Clamp               |
| Net weight (kg)    | 2,8                 | 4,2                 |

# AXIO / MODULAR COMPONENTS

Gas spring arms allow smooth and effortless height adjustment of the screen position, while mechanical arms provide solid stability and precision.

## 400206620 - SCREEN ARM MECHANICAL AXIO BLACK ULX



Supports a screen weighing up to **10 kg** and measuring up to **36"**.

Compatible with VESA 75 x 75 mm or 100 x 100 mm.

## 400206621- SCREEN ARM GAZ SPRING AXIO BLACK ULX



Supports a screen weighing up to **10 kg** and measuring up to **36"**.

## 400207189- SCREEN ANGLED ARM MECHANICAL AXIO BLACK ULX



Supports a screen weighing up to **10 kg** and measuring up to **36"**.

Our VESA mounts offer a wide range of motion — swivel, tilt, and rotation — for precise adjustment and maximum flexibility. Thanks to the integrated sliders, horizontal monitor adjustment is quick and easy.

## 400206626 - HEAD VEASA 75&100 SINGL SCR AXIO BLCK ULX



Supports a screen weighing up to **10 kg** and measuring up to **36"**. Ideal for a 3<sup>rd</sup> screen.

The entire head can swivel, tilt, and rotate.

## 400206624 - SINGLE SCREEN CROSSBAR AXIO BLACK ULX



Supports a screen weighing up to **10 kg** and measuring up to **36"**. Ideal for a 3<sup>rd</sup> screen.

VESA 75 & 100 mm mounting. Width adjustment of 310 mm.

## 400206623 - DUAL SCREENS CROSSBAR AXIO BLACK ULX



Supports a screen weighing up to **10 kg** and measuring up to **36"**.

Suitable for two screens. To be mounted on the components of an arm.

# AXIO / MODULAR COMPONENTS

Connectors are essential for configuring an AXIO monitor arm. They easily slide into the grooves of the poles and allow you to attach arm segments or VESA heads. Once in place, their position can be adjusted for optimal flexibility. Create custom multi-monitor setups by combining them with a connector and other AXIO components, such as monitor arms or laptop holders.

## 400206625 - SLIDING CONNECTOR AXIO BLACK ULX



Accessory required for all arm solutions in combination with the mast.

Compatible with VESA 75 x 75 mm or 100 x 100 mm.

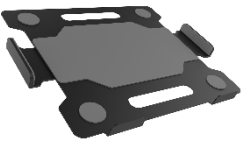
## 400207193 - MAST 58CM AXIO ON CLAMP BLACK ULX



Mast height 58 cm supplied with double-screw clamp.

Robust accessory designed for simultaneous 4-screen configuration.

## 400206622 - LAPTOP SUPPORT AXIO BLACK ULX



Suitable for laptops up to 17".

Compatible with VESA 75 x 75 mm or 100 x 100 mm.

## 400207192 - GROMMET FIXATION DESK AXIO BLACK UNILUX



Ensures optimal support of the monitor arm on the desk/table surface.

# AXIO / MODULAR POSSIBILITIES



# AXIO Modular sliding screen double arm support



# ABOUT UNILUX

---

Founded in 1952, UNILUX is a French company specializing in lighting and ergonomics. Over the past 25 years, UNILUX has become a benchmark in the field of lighting in France and throughout Europe. In 2000, UNILUX joined the French group HAMELIN, a European leader in stationery. The company modernizes and evolves to become a creator of ambiance and well-being.

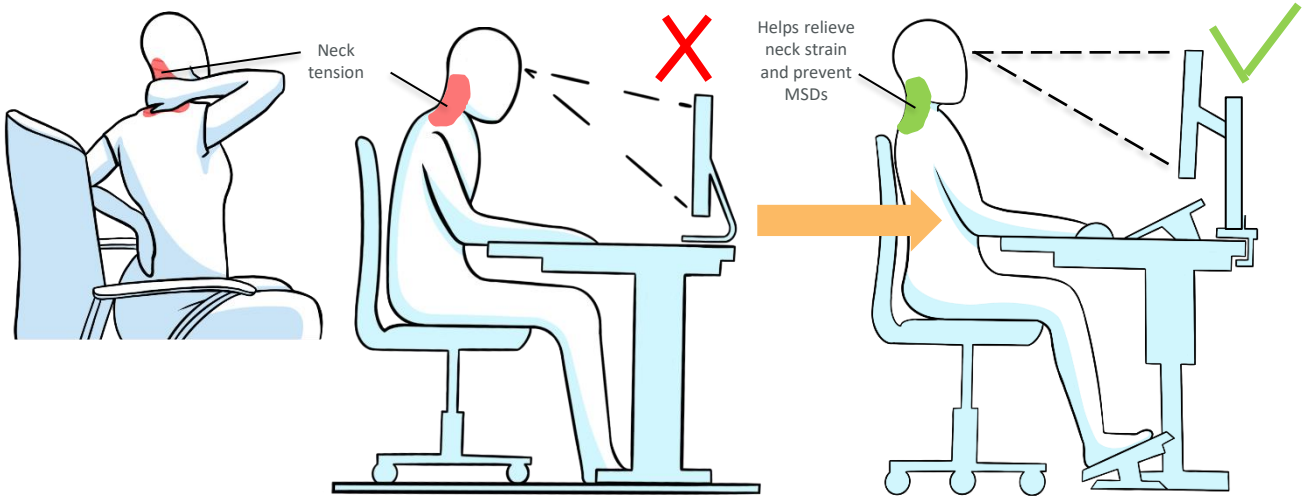


# OUR EXPERTISE

---

Free up your space, boost comfort and productivity with a monitor arm designed to meet your needs.

Using a monitor arm helps optimize your workspace while enhancing ergonomic comfort. It offers flexible positioning that promotes a more natural posture, reducing eye strain and tension in the neck and back. By clearing desk space, it contributes to a more organized and productive environment. Additionally, some models allow for dynamic adjustment, making them ideal for shared workstations or specific mobility needs.



# OUR CSR COMMITMENTS

---



Unilux focuses on sustainable development and takes concrete measures to reduce its environmental footprint and best meet the evolving expectations of its consumers.



We are notably committed to reduce our greenhouse gas emissions by 29% between 2021 and 2030 in response to the "Net Zero Carbon Emissions by 2050" challenge. Eco-design, emissions reduction, and continuous improvement are at the core of our concerns.

## pCon Planner

Integrate Unilux products seamlessly into your 3D space designs.  
Access to essential data : dimensions, prices, etc.



## Website

Explore our full range, tips, blog articles, and more.



Do you have any questions ?

Our customer service is always available to assist you.

# GLOSSARY

