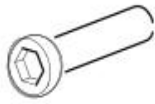


Assembly Instruction

MONTERINGSANVISNING | MONTAGEANLEITUNGEN



A x16



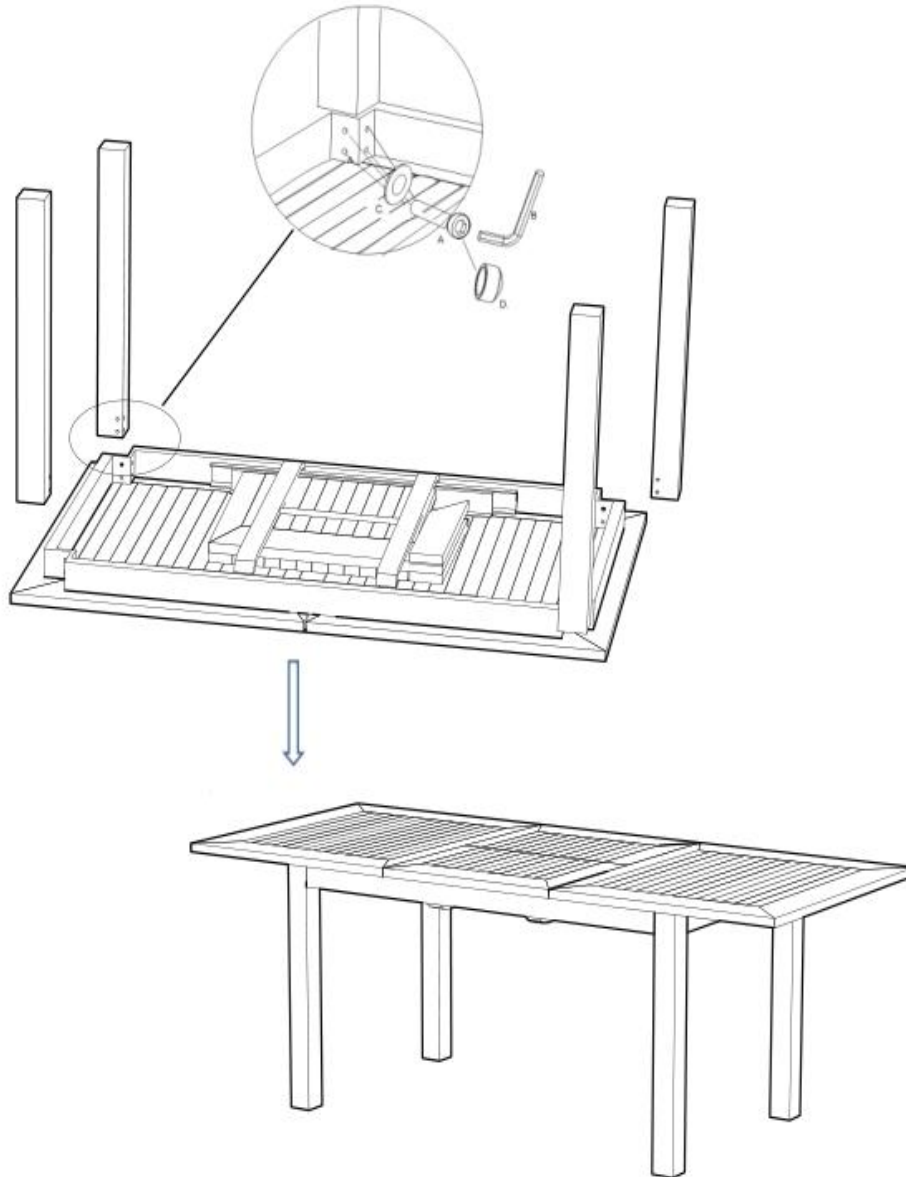
B x1



C x16



D x16



ProductNumber:6020-520/6023-520/9190-400/6023-520/6025-520/9190-400/9297-400/9396-400
Description:Panama Table



@Venturehomese
@Venture.Design

Do not tighten screws until all screws
have been assembled !

Venture
home

