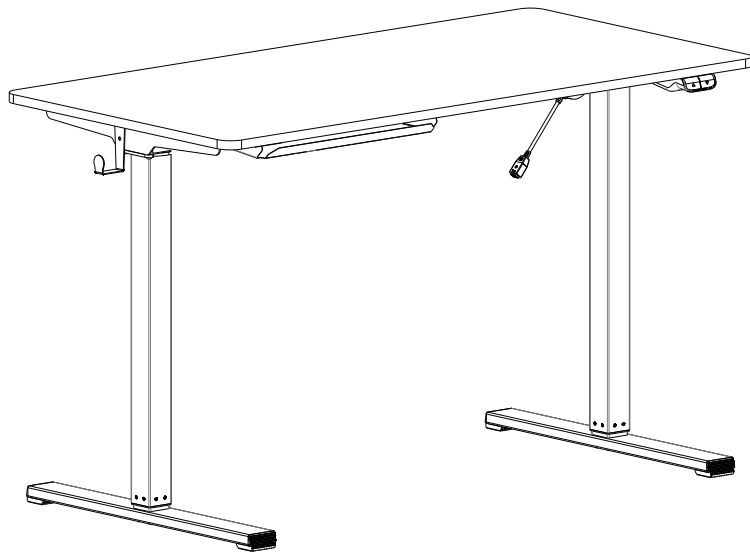


Item No.: K257028/K257029

Installation guide



Technical data

Column Stage	2
Max. Load Capacity	50kg
Height Range	730-1210mm
Max. Load Capacity of Hook	4.5kg/pc
Max. Speed	25mm/s

Accessory list

Attention: The drawings below are for guidance only and they may differ slightly from the product and fittings received. Please contact our customer service department if you have any queries.

- A** x6
ST4.2x13
- B** x4
Cable Tie
- C** x4
M6x12
- D** x8
M6x30
- E** x1
4x4

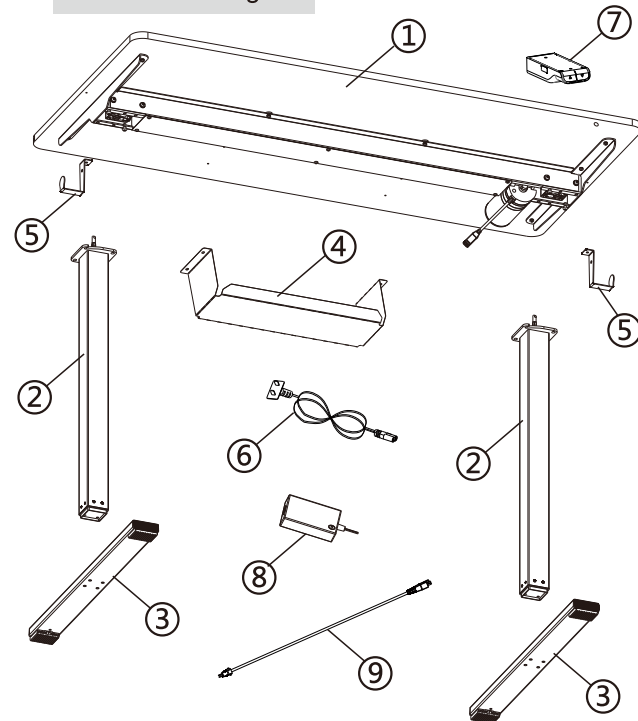
Self adhesive bag list

- x1
Phillips Screwdriver

Component List

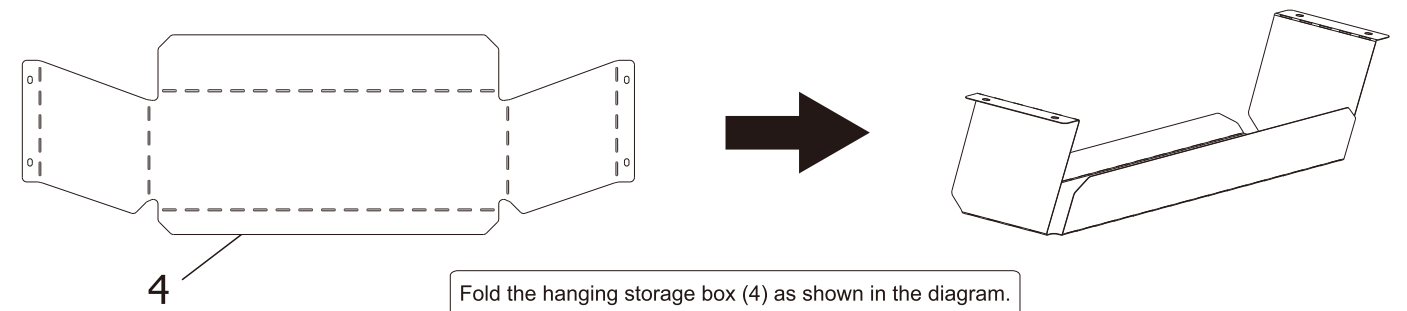
No.	Part	Qty	No.	Part	Qty
①	Tabletop Accessories	1	②	Lifting columns	2
③	Feet	2	④	Hanging Storage Box	1
⑤	Hooks	2	⑥	Power Cord	1
⑦	Control Box	1	⑧	Adapter	1
⑨	Switch Cord	1			

Installation Diagram



STEP1

Fold the hanging storage box



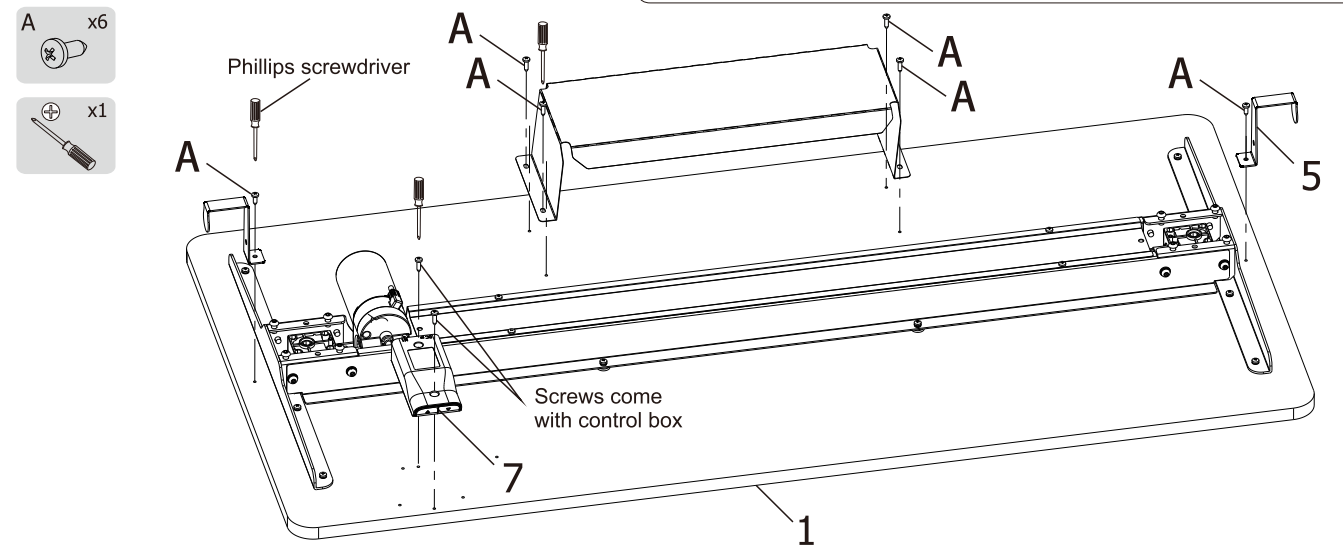
Fold the hanging storage box (4) as shown in the diagram.

STEP2

Install tabletop accessories



Note: During installation, do not place the tabletop directly to the ground on avoid being scratched by sharp objects.



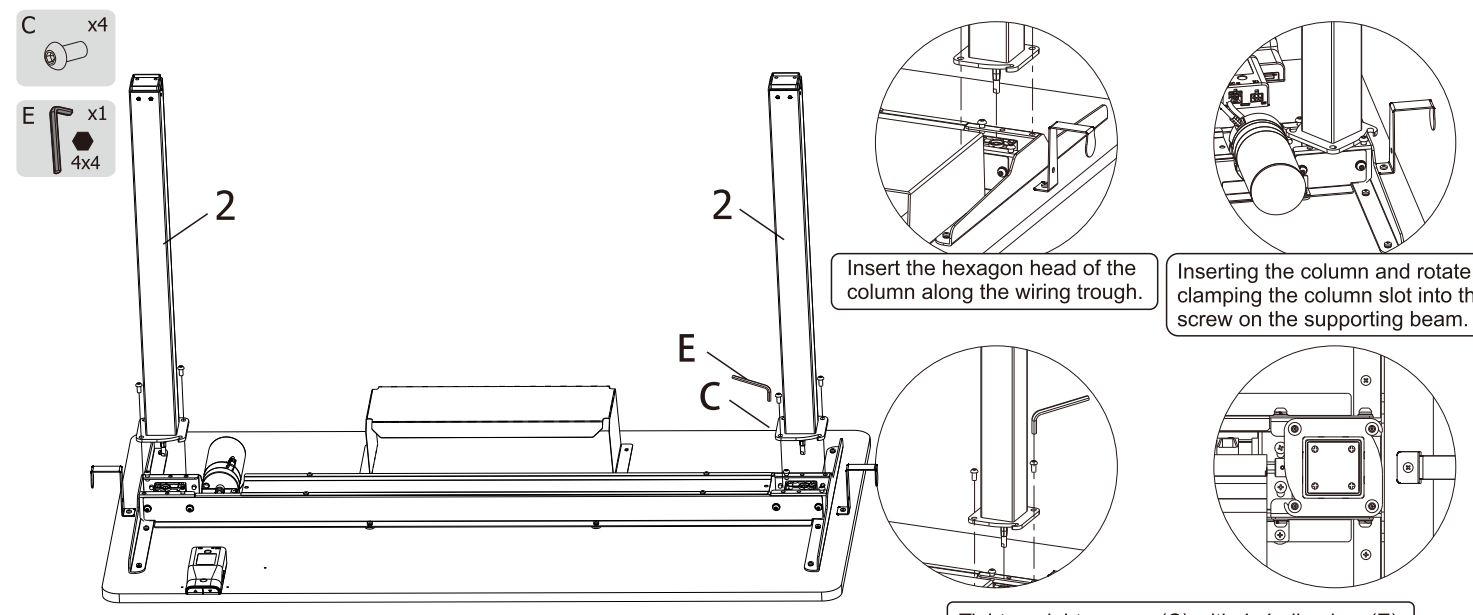
Use the phillips screwdriver and ST4.2x13 screws (A) to install hanging storage box (4) and hook (5) to the tabletop accessories (1) according to the position of the lead holes. Install the control box (7) to the tabletop accessories (1), using phillips screwdriver and screws that come with the control box.

STEP3

Install lifting columns



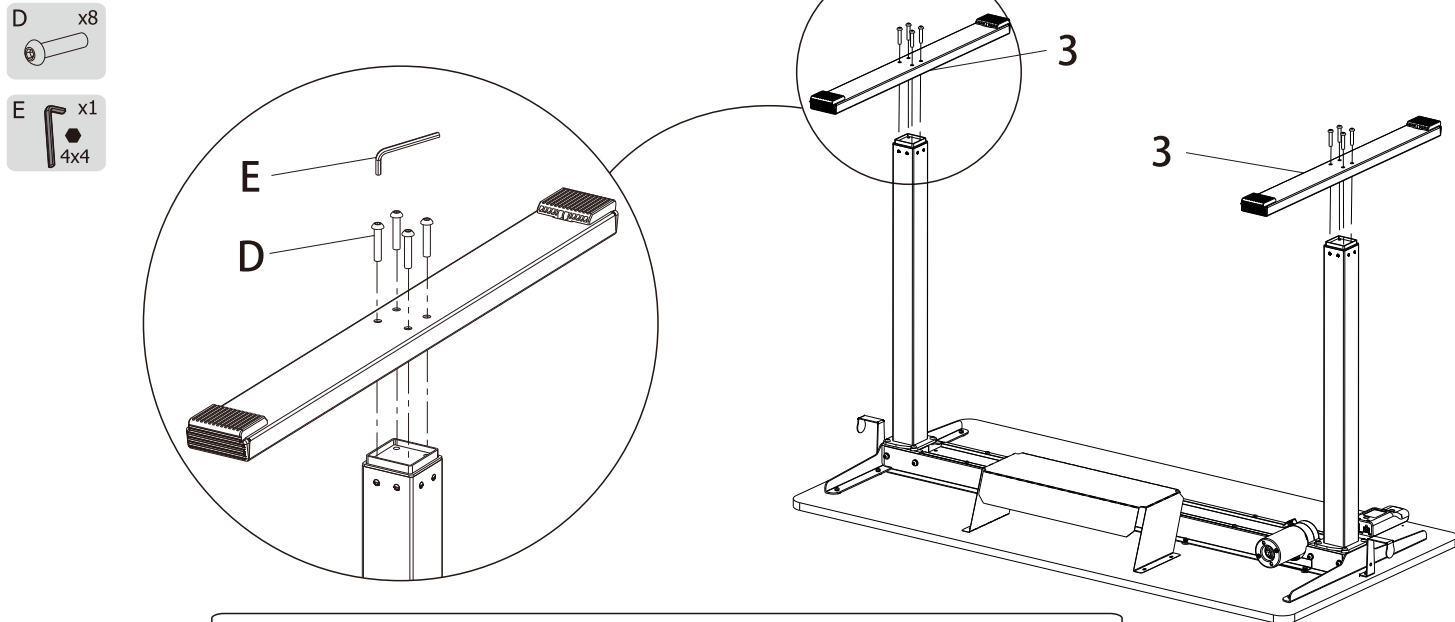
Rotate the column after inserting it to the bottom to avoid height difference.



Tighten eight screws (C) with 4x4 allen key (E).

STEP4

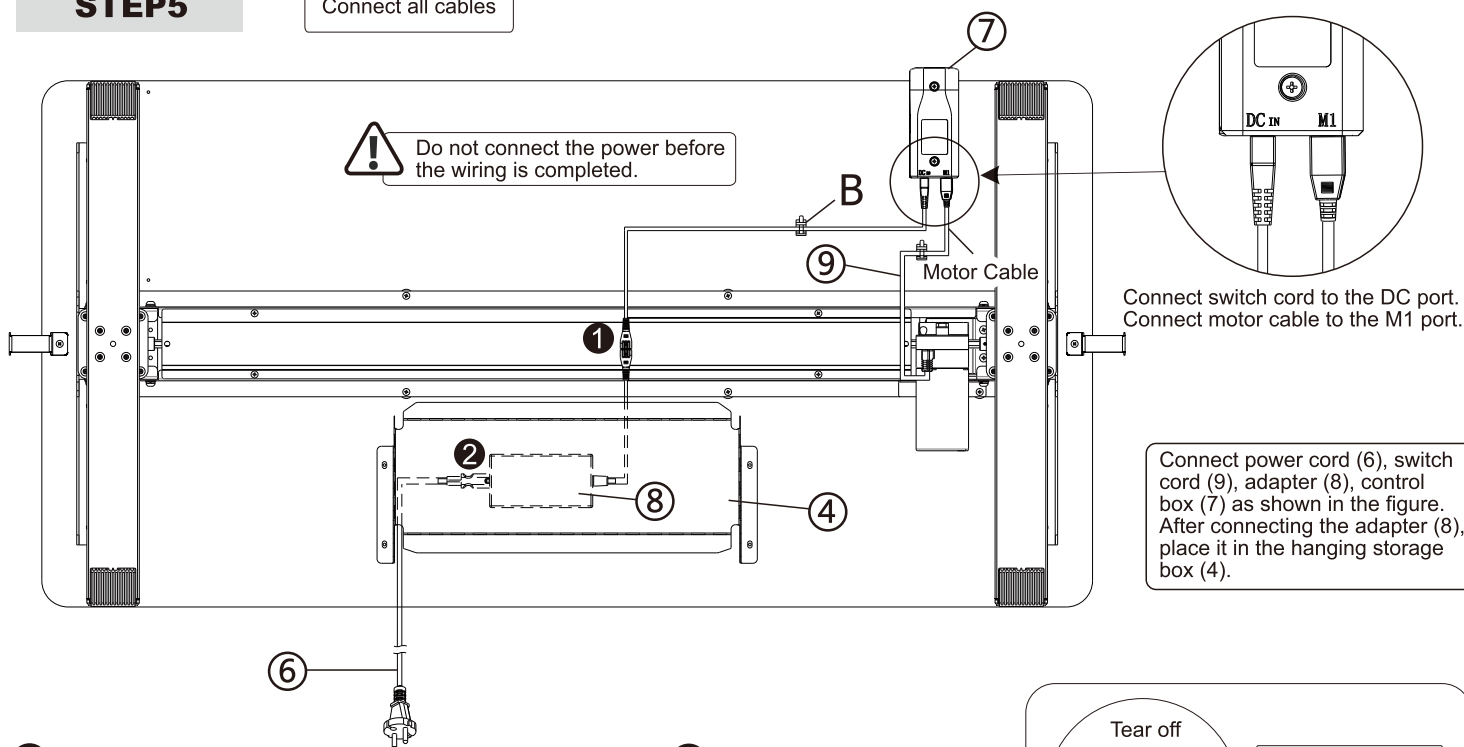
Install feet



Connect feet (3) to lifting columns and use 4x4 allen key (E) to tighten eight M6x30 screws (D).

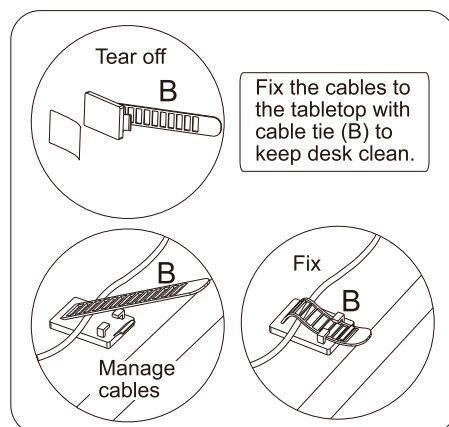
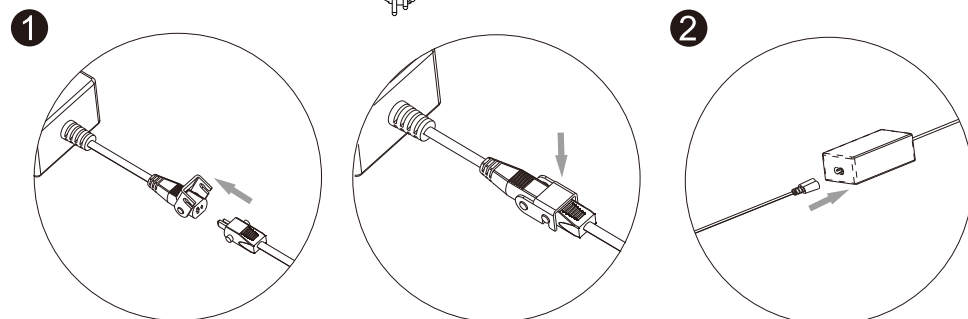
STEP5

Connect all cables



Connect switch cord to the DC port. Connect motor cable to the M1 port.

Connect power cord (6), switch cord (9), adapter (8), control box (7) as shown in the figure. After connecting the adapter (8), place it in the hanging storage box (4).



How to use handset

- “▲” Adjust the desk upwards
- “▼” Adjust the desk downwards

Operation

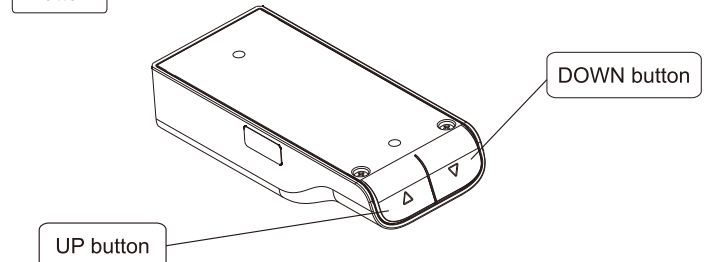
- Button Lift Function
Press the “▲” or “▼” button to adjust the height of the desk.
- Reset Function
(1) When at the lowest position, long press the “▼” button for more than 5 seconds to enter the reset mode. The reset will be finished until the lift system rebound and stop after reaching the bottom.
(2) When the lifting system fails, release the button, long press the “▼” button, the reset will be finished until the lift system rebound and stop after reaching the bottom.

Common fault treatment

The following tips will help you detected and eliminate the common fault and error. If the fault you met is not listed below, please contact with your supplier. Only the manufacturer and professionals are capable for investigating and correcting those fault and error.

Fault phenomenon	Method
The desktop could not function	Check if all the cables well connected;
Rising in a low speed	Check if overloaded, max loading: 50kg;
The desk moving downwards without any operation	
Automatically Self-Reset	Reset;
Go down but not go up or go up but not go down	
The upper and downward height is not enough	
The desk could not lifted	Restart after suspend for 18mins while connecting with power.
Overwork (Duty cycle: Max 2min on/18min OFF)	

Button



Attention

1. Power supply: AC100V-240V, 50/60Hz
2. Service Environment: 0-40 °C
3. Unplug the power plug before cleaning, wipe the dust on surface with slight wet dishcloth when cleaning, be careful not to let the drops into the internal parts, not loose the connector.
4. The electric box contains electronic components, metals, plastics, wires etc., so dispose of it in accordance with each country's environmental legislation, not the general household waste.
5. Check carefully to ensure correct and complete assembly before using.
6. Be familiar with all functions and program settings of the product before first use.
7. Children are forbidden to play on the product because of unforeseen action when playing, so any dangerous consequences caused by this improper action will not be on manufacturers.
8. Slight noise caused by the V-ribbed belt or brake system due to structure will not have any effect on the use of the equipment.
9. Corrosive or abrasive materials are forbidden to clean the equipment. Must ensure that the cleaner used will not pollute the environment.
10. This appliance can be used by children aged from 8 years and above and persons with reduced physical, sensory or mental capabilities or lack of experience and knowledge if they have been given supervision or instruction concerning use of the appliance in a safe way and understand the hazards involved. Children shall not play with the appliance.
11. Cleaning and user maintenance shall not be made by children without supervision.
12. If the supply cord is damaged, it must be replaced by the manufacturer, its service agent or a similarly qualified person in order to avoid a hazard.
13. Please make sure there is no hazard sources in your operating environment. e.g., do not litter the tools around. Always be careful to treat the packaging materials in order to avoid any possible danger, e.g. plastic bag may lead to choking hazard to children.
14. Keep the original package of the equipment if necessary in case of the future use in transportation.

Waste disposal



This marking indicates that this product should not be disposed with other household wastes. To prevent possible harm to the environment or human health from uncontrolled waste disposal, recycle it responsibly to promote the sustainable reuse of material resources. To return your used device, please use the return and collection systems or contact the retailer where the product was purchased. They can take this product for environmental safe recycling.

