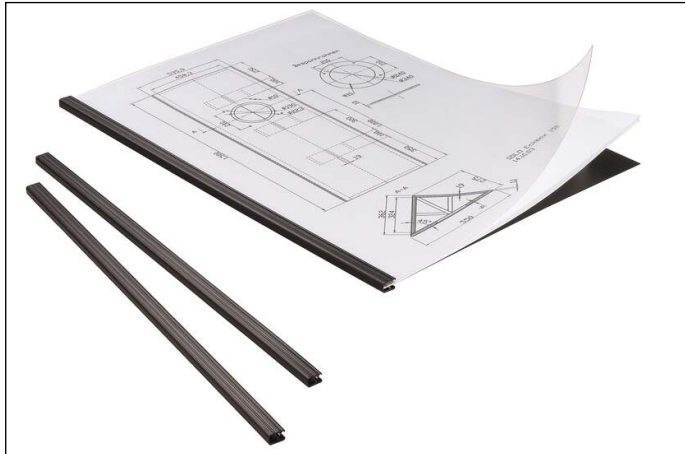


Indbindingsssystem DURAGRIP® 15 A4 Combi Pack

Artikel nr.	294201	Antal salgsheder	1 Set
Farve	black	Salgsheder EAN	4005546223193



Self-assessment (based on ISO 14021)

7.2 Compostable	
7.3 Degradable	
7.4 Designed to be dismantled	
7.5 Extended product life	
7.6 Recovered energy	
7.7 Recyclable	✓
7.7.a % Recyclable	100%
7.8 Recylate content	
7.8.a % Recylate content (pre-consumer)	
7.8.b % Recylate content (post-consumer)	
7.9 Reduced energy consumption	
7.10 Reduced resource consumption	
7.11 Reduced water consumption	
7.12 Reusable and refillable	
7.13 Waste reduction	