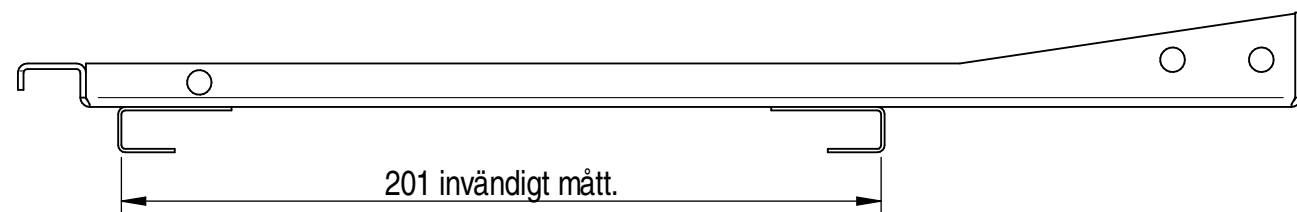
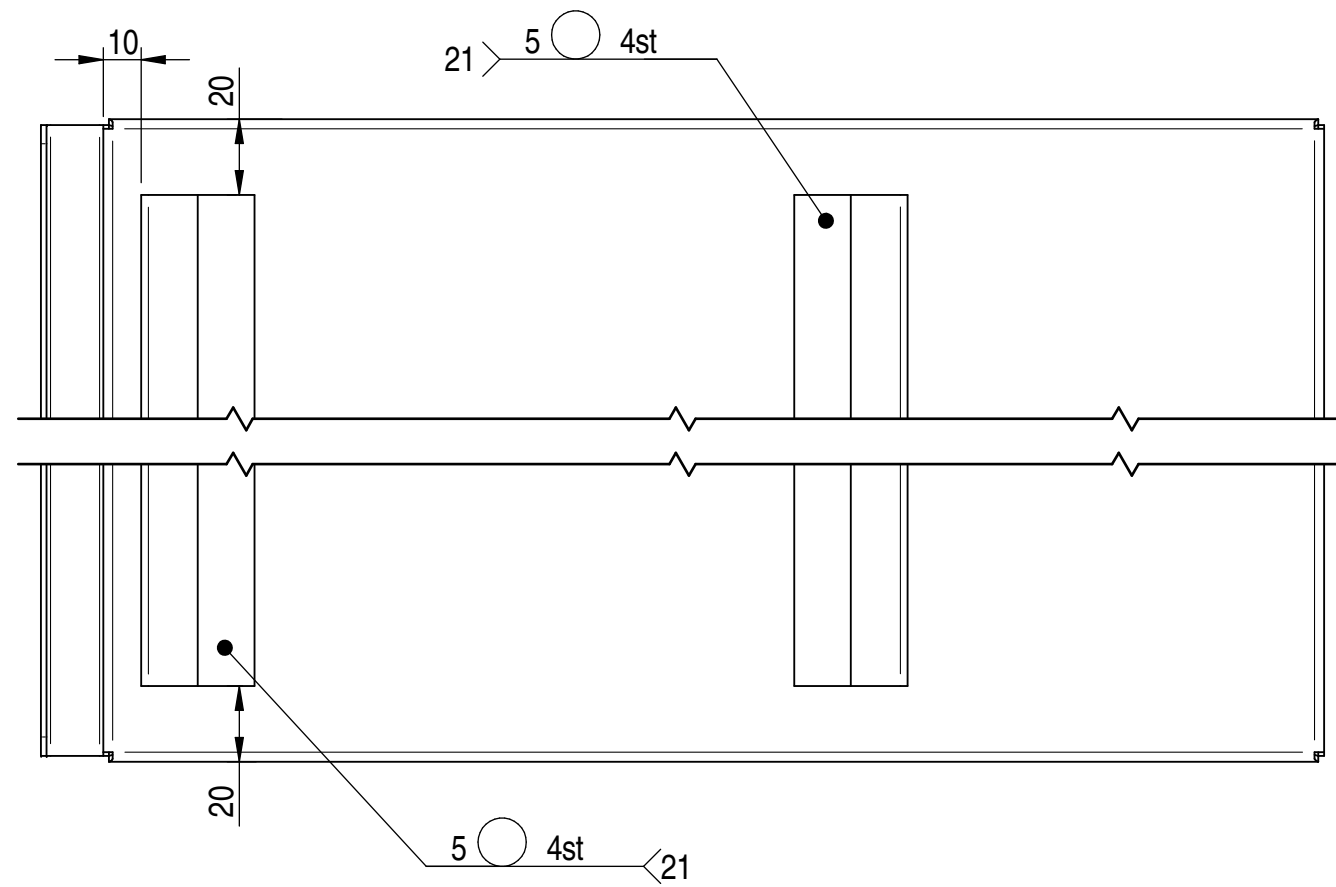
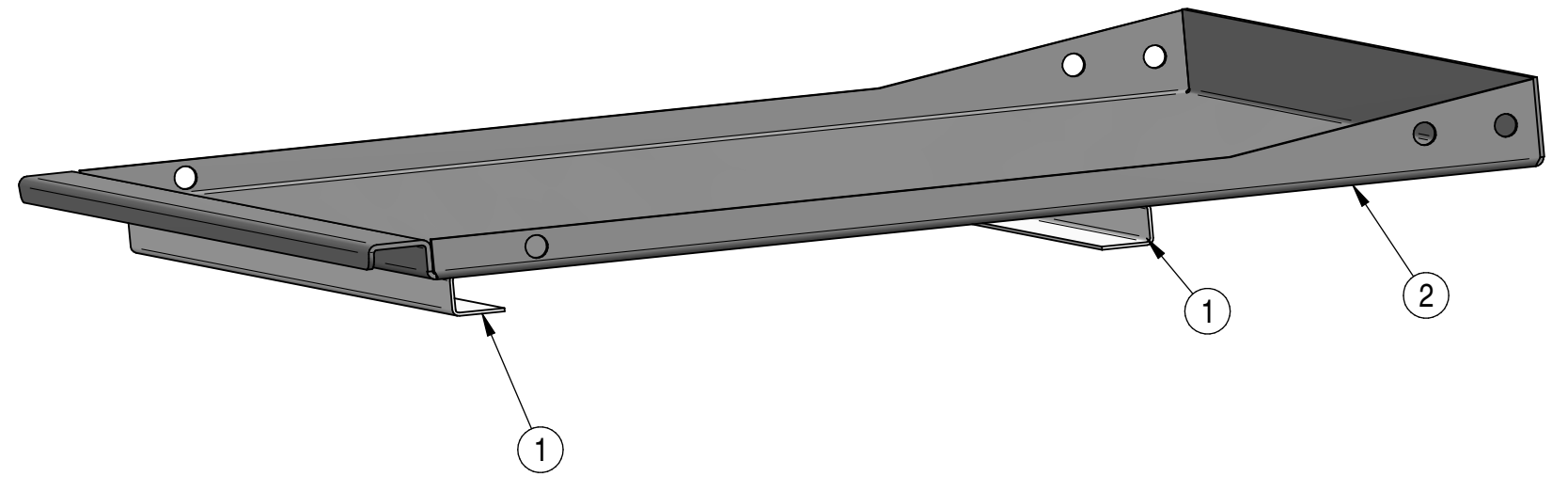


Nr.	Ant.	Ändring	Datum	Inf.
0				



2	1	Tangentbordshylla	203063_3	DC01	1,50 mm
1	2	List för musplatta	205161	DC01	0,90 mm
Pos	Ant	Benämning		Material	Anmärkning
Konstr.	Ritad	Format	Ej toleranssatta mått ent:	Ersätter	
PNI	PNI	A3	ISO 2768-m	0	3 6 30 120 400 1000
<b>SONESSON INREDNINGAR</b> Sturkögatan 9 SE-202 13 Malmö Sweden Tel: +46 (0)40-38 39 00 Fax: +46 (0)40-29 31 38			<b>KPL tangentbordshylla</b>  <b>GBP Ergonomics</b>		±0,1   ±0,1   ±0,2   ±0,3   ±0,5   ±0,8   ±1,2 Filnamn 205160.dft Datum 2014-06-26 Skala - Rev. 0 Ritnr. 205160

Copyright © Sonesson Inredningar AB 2014. All rights reserved. This document is protected by Swedish and international copyright laws. No part of this document may be reproduced, duplicated, copied, distributed, or transmitted in any form or by any means or on any media or to any person without the prior written consent of Sonesson Inredningar AB. Unauthorised reproduction, duplication, copying, distribution, or transmission is subject to civil and criminal law sanctions. The policy of Sonesson Inredningar AB is to take firm and immediate legal action in respect of any and all infringements of its copyright.

**Solid Edge**  
 CAD-ritning  
 Manuell ändring  
 ej tillåten