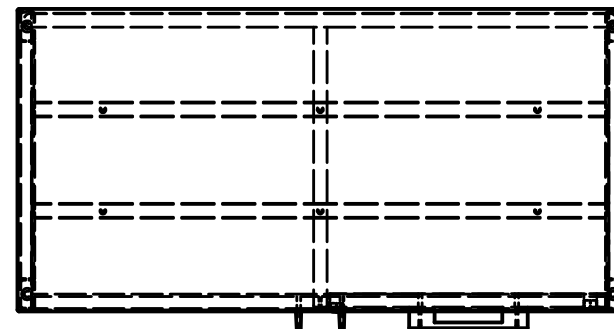
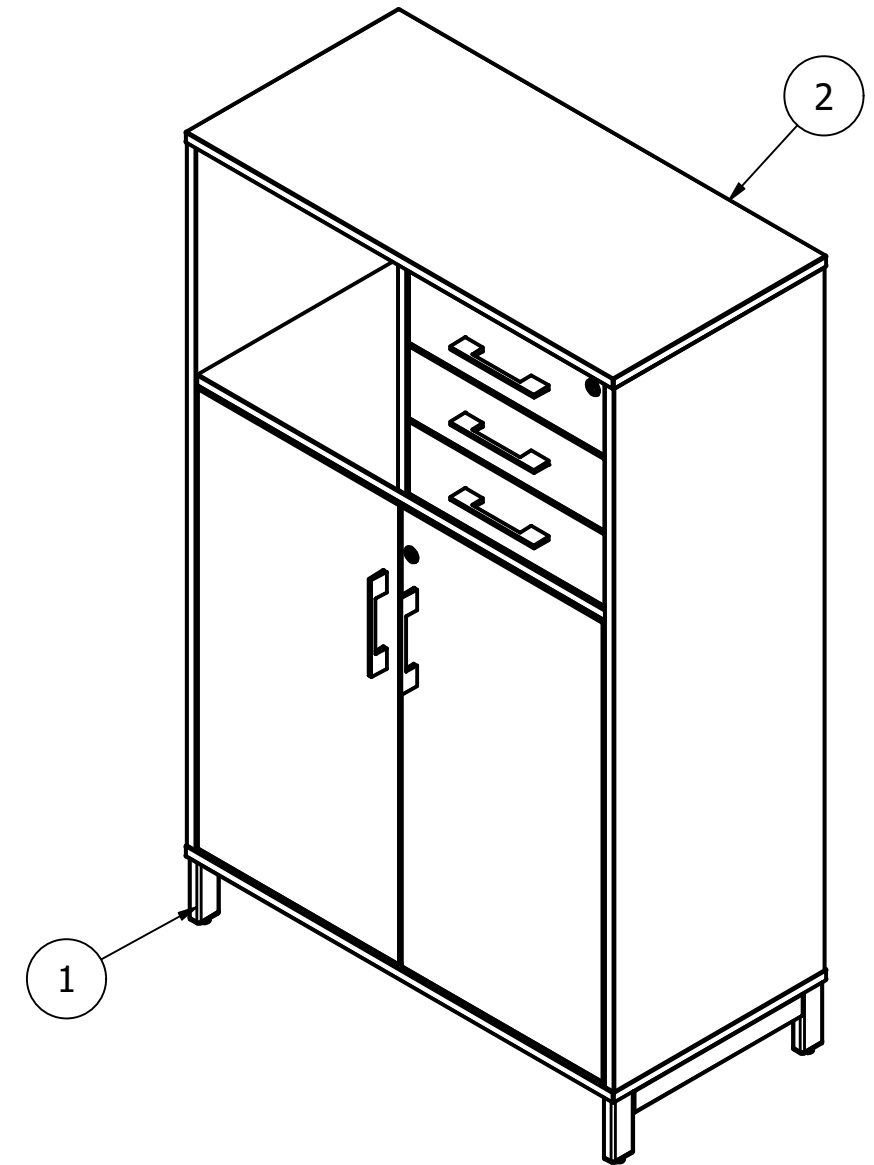
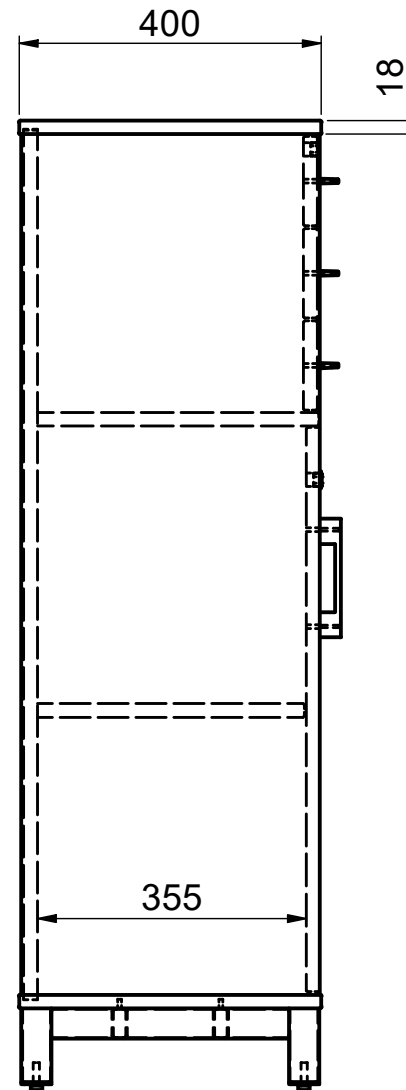
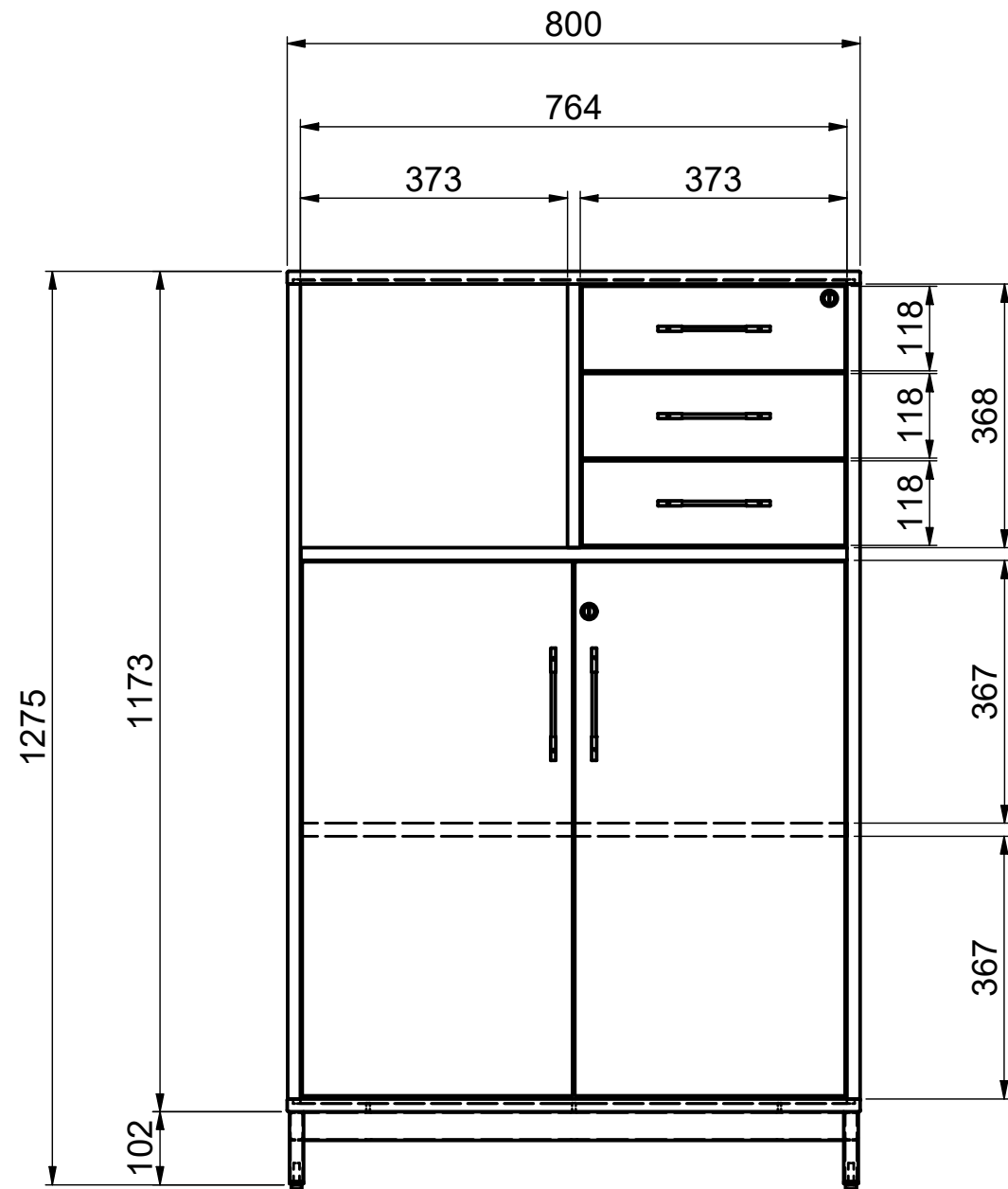


REV	DESCRIPTION	DATE	APPROVED
A	New Drawing	16.03.2022	KPackiyarajah

ISOVIEW



ITEM	QTY	PARTNUMBER	DESCRIPTION	ERP No
2	1	1004648	DNA 3A4 Bookcase W800 2A4 Door Drawer	K250015
1	1	1004597	DNA Bottom Frame 800mm	K250000

Material:	Surface:	Thickness:
	Laminate	
Designer:	Date:	Weight:
KP	20.05.2021	58 kg

**Just More**

Tolerances:	0	3	6	30	120	400	1000	
For dimension without tolerance acc to:	SS-ISO 2768-1 M	±0,1	±0,1	±0,2	±0,3	±0,5	±0,8	±1,2
Project / Description:	DNA Bookcase 3A4 Door 2A4 Drawers W800							
	Office storage							
	Office							

Replacement for:	ERP No:		
	K255218		
Drawing number:	Revision:		
1004683	A		
SS-ISO 128	Sheet: 1 / 1	Scale: 1:10	Format: A3

All rights reserved. Reproduction in whole or in parts is prohibited without the written consent of the copyright owner.